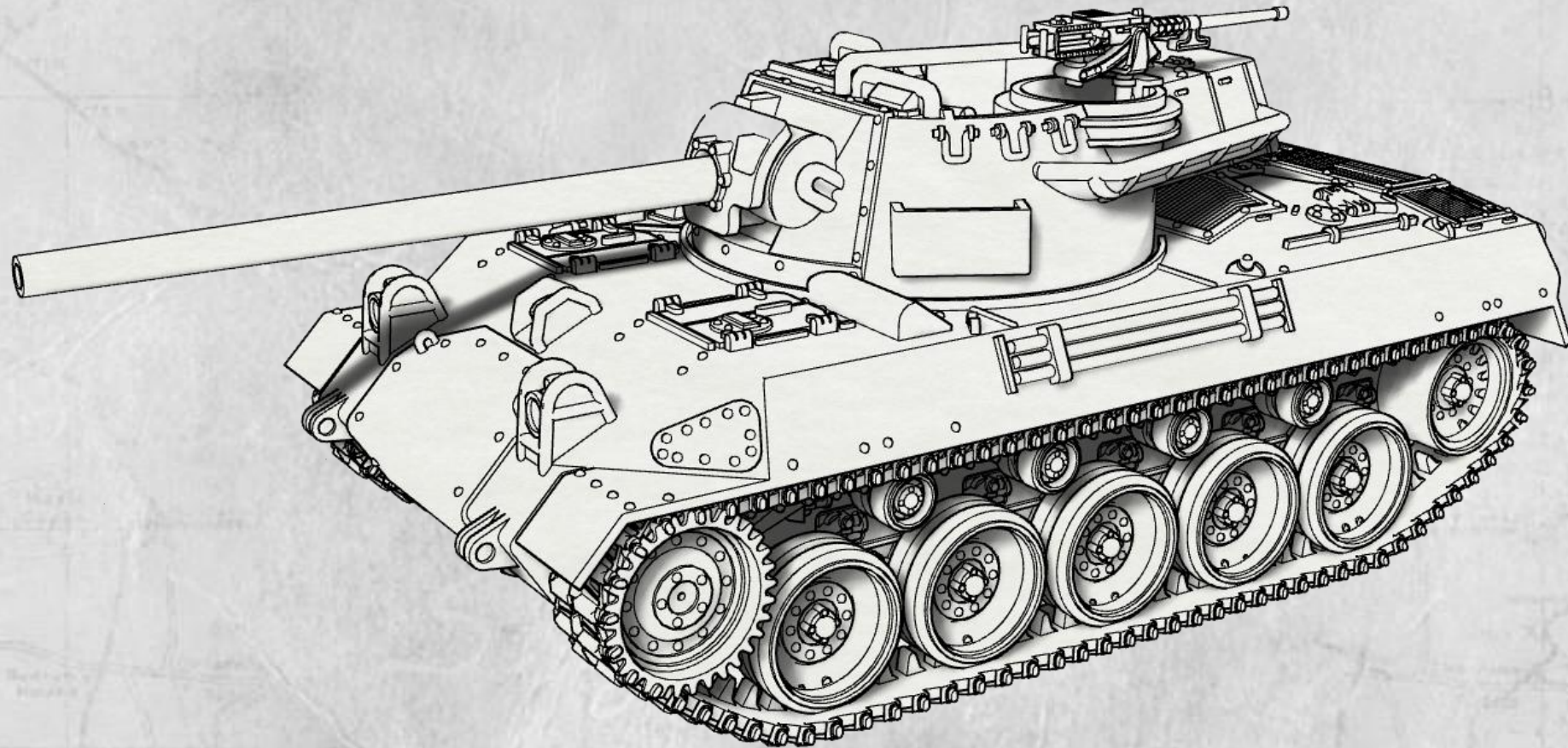
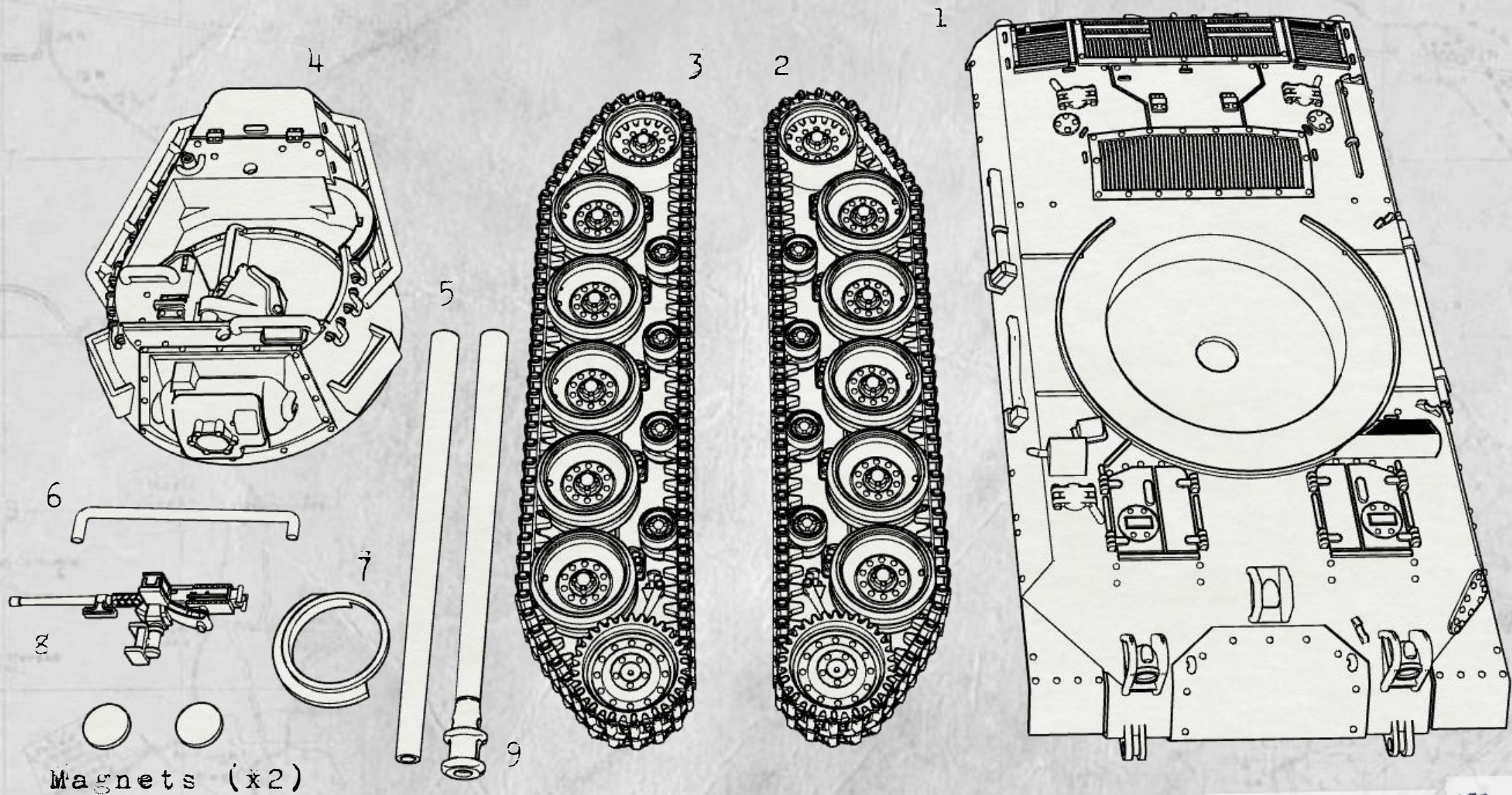


M18 Hellcat Assembly Instructions



© 2015 Trenchworx

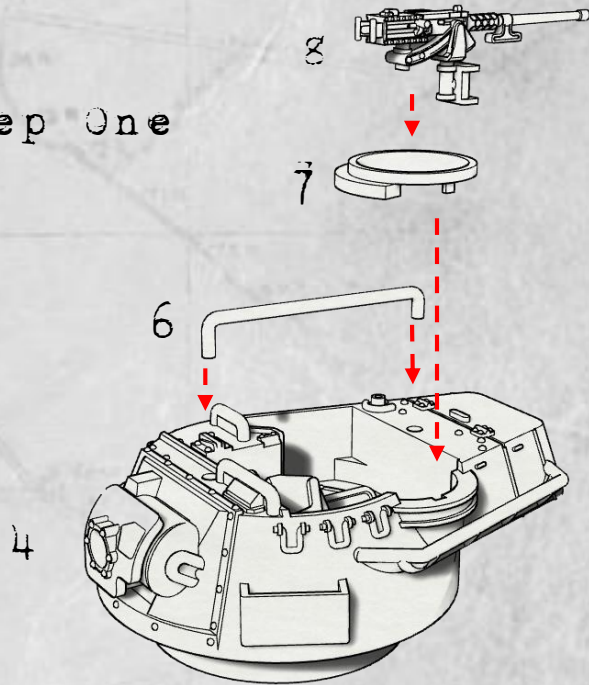
Trench Worx



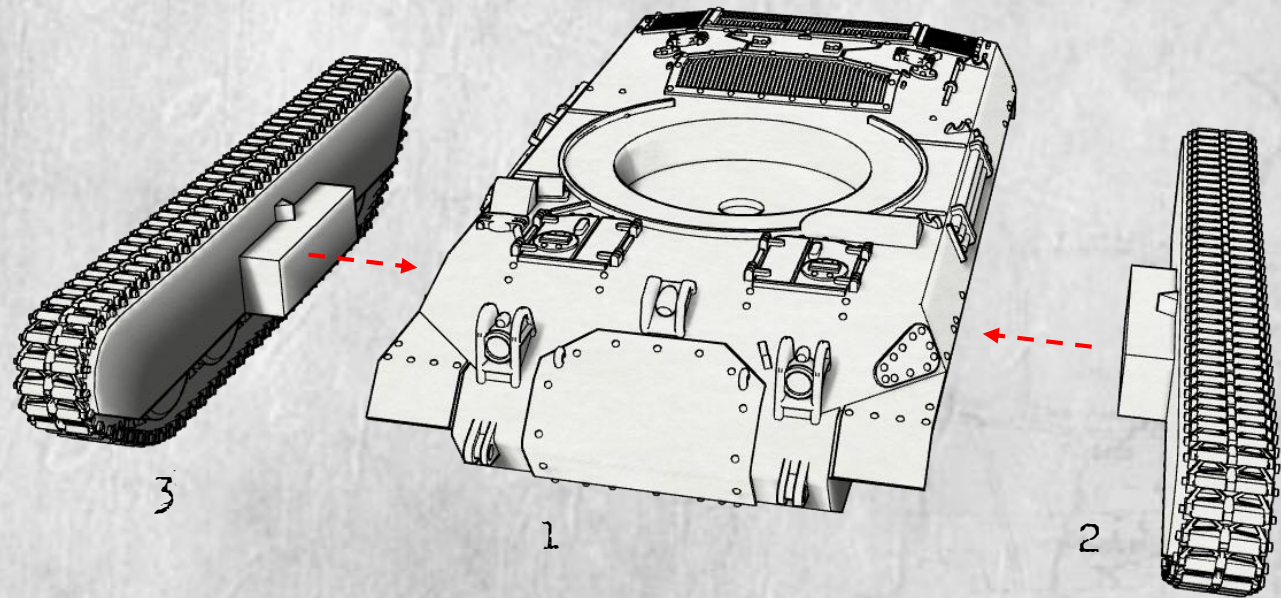
Trench Work

We recommend you sand the connecting points before gluing the parts in place. This will make for a stronger bond.

Step One

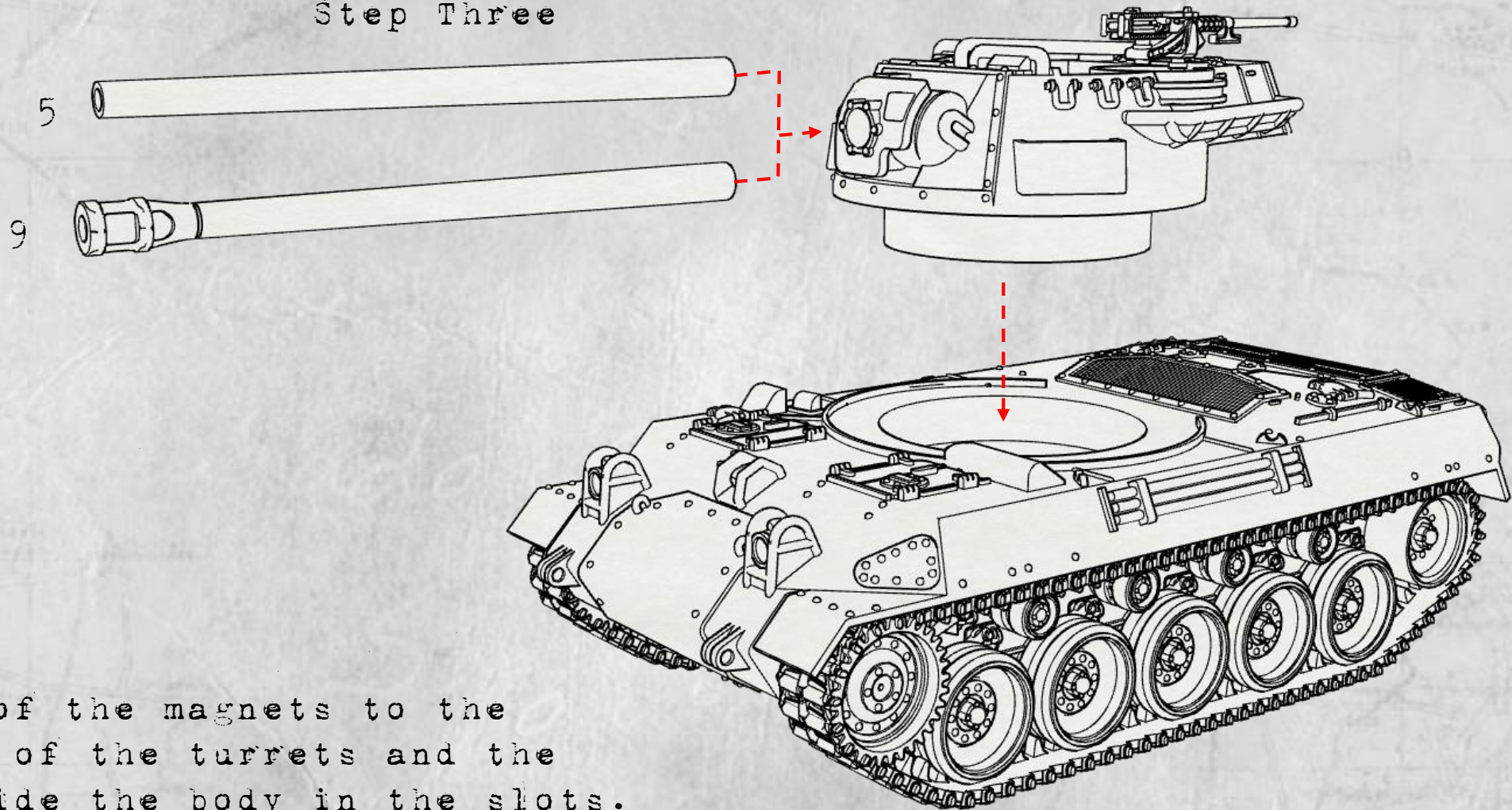


Step Two



Trench Worx

Step Three



Glue one of the magnets to the underside of the turrets and the other inside the body in the slots. Make sure The polarity of the magnets match.