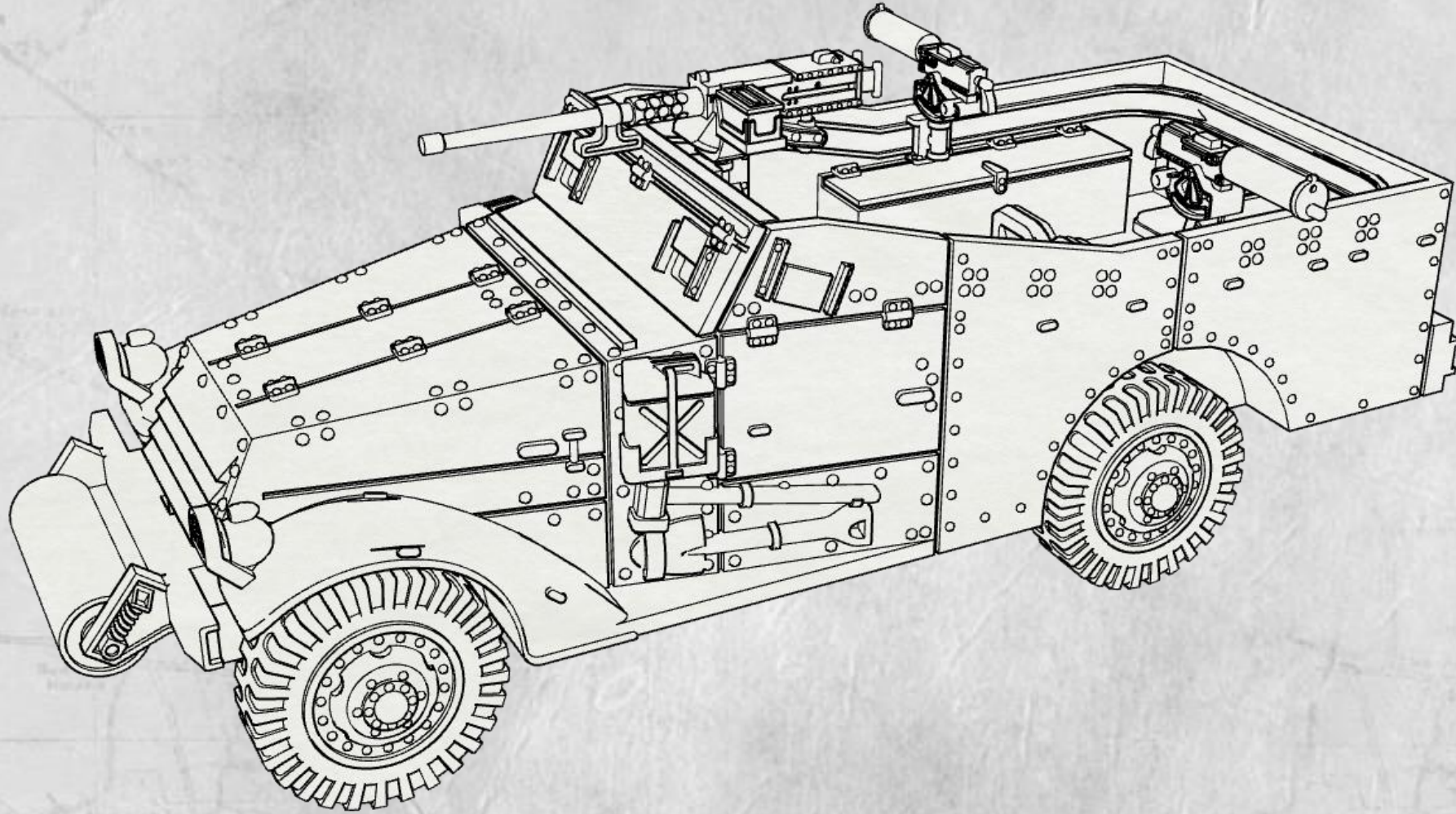


# M3A1 White Scout Car Assembly Instructions



4 (x2)



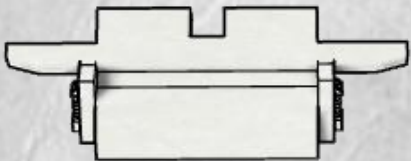
5 (x2)



6



7

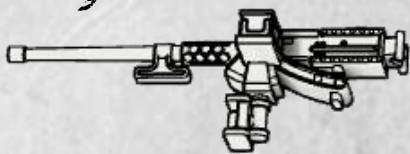


8

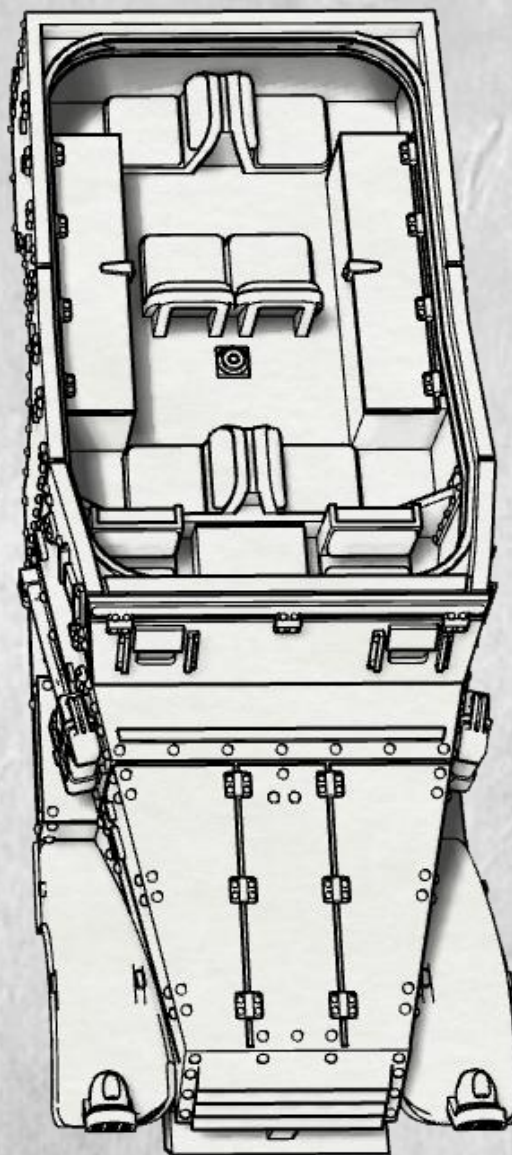
2 (x4)



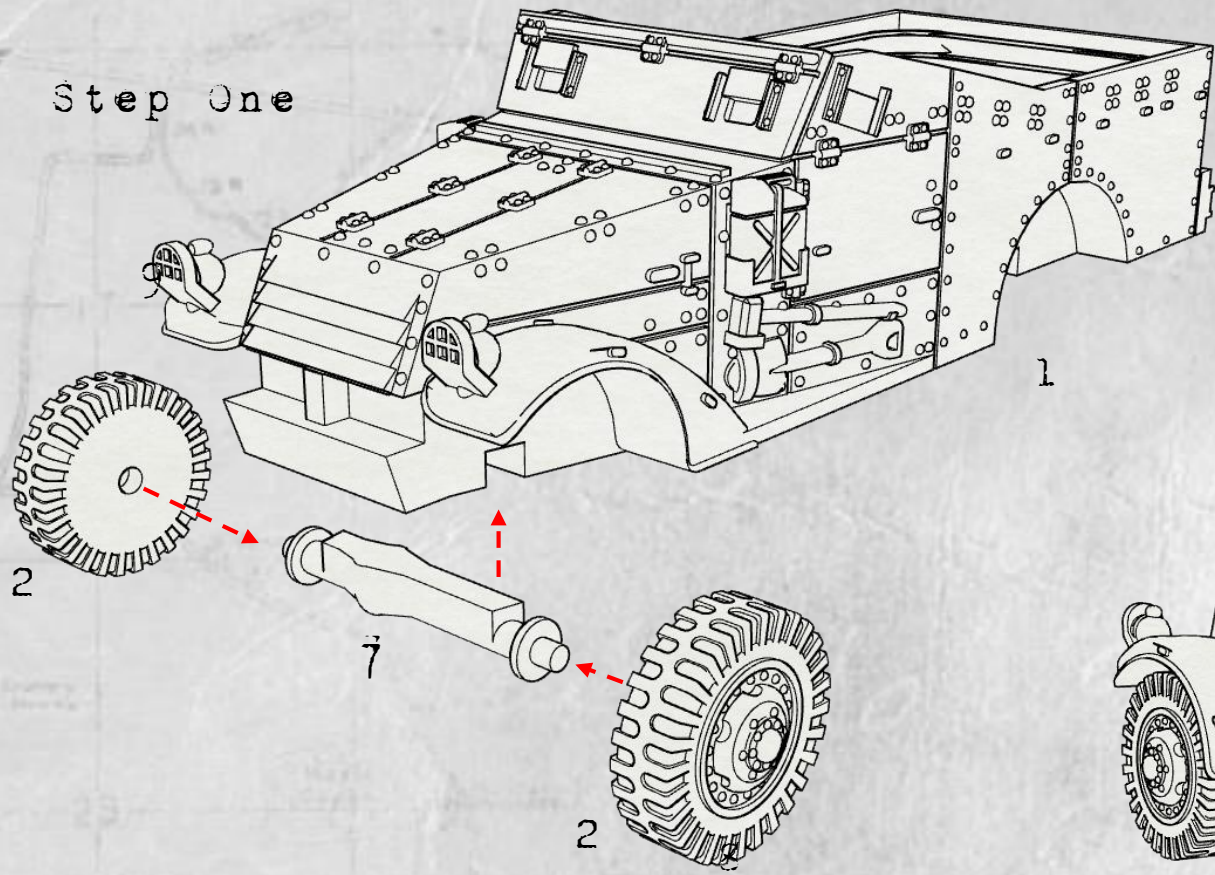
3



1

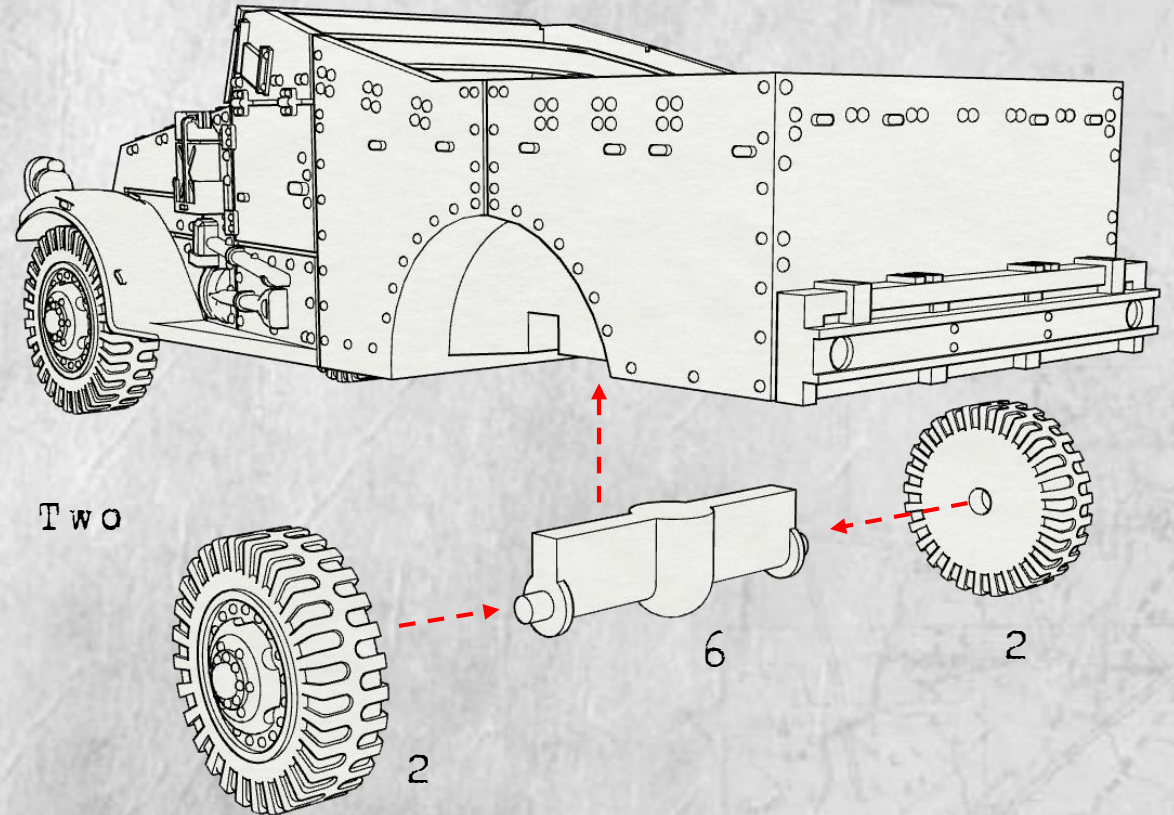


Step One



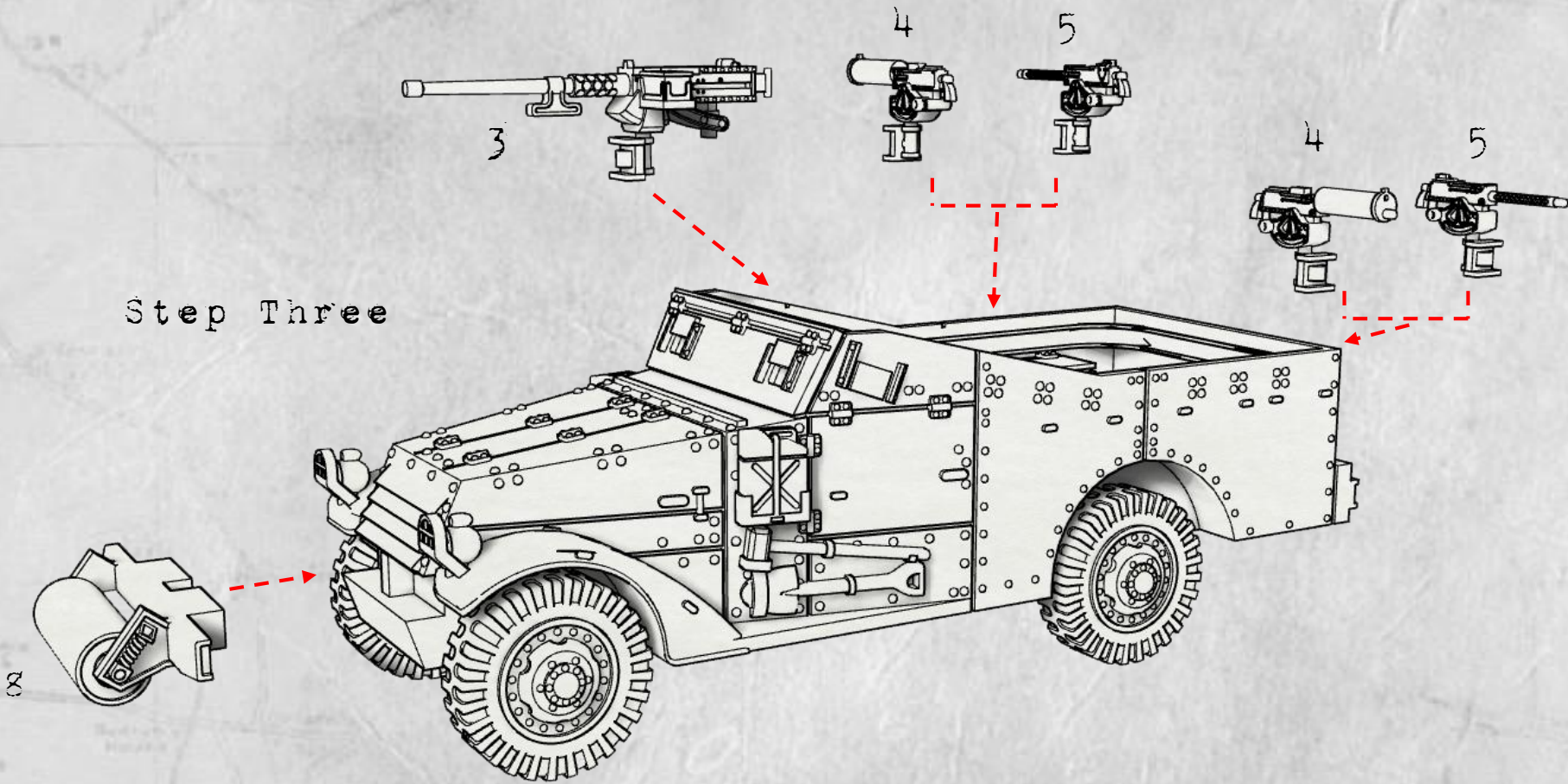
We recommend you sand the connecting Points before gluing the parts in place. This will make for a stronger bond.

Step Two



Trench Worx

Step Three



Trench Worx