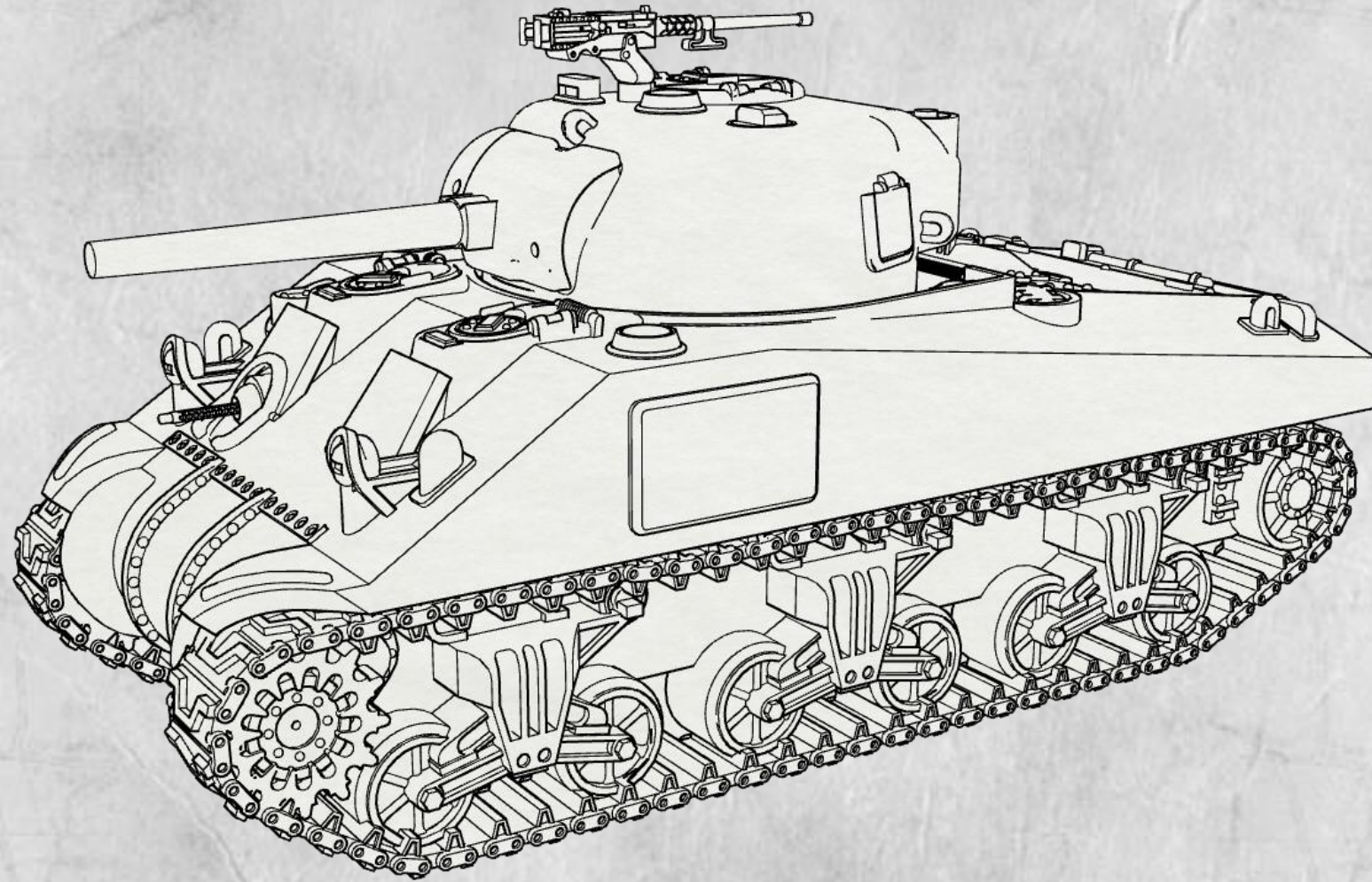


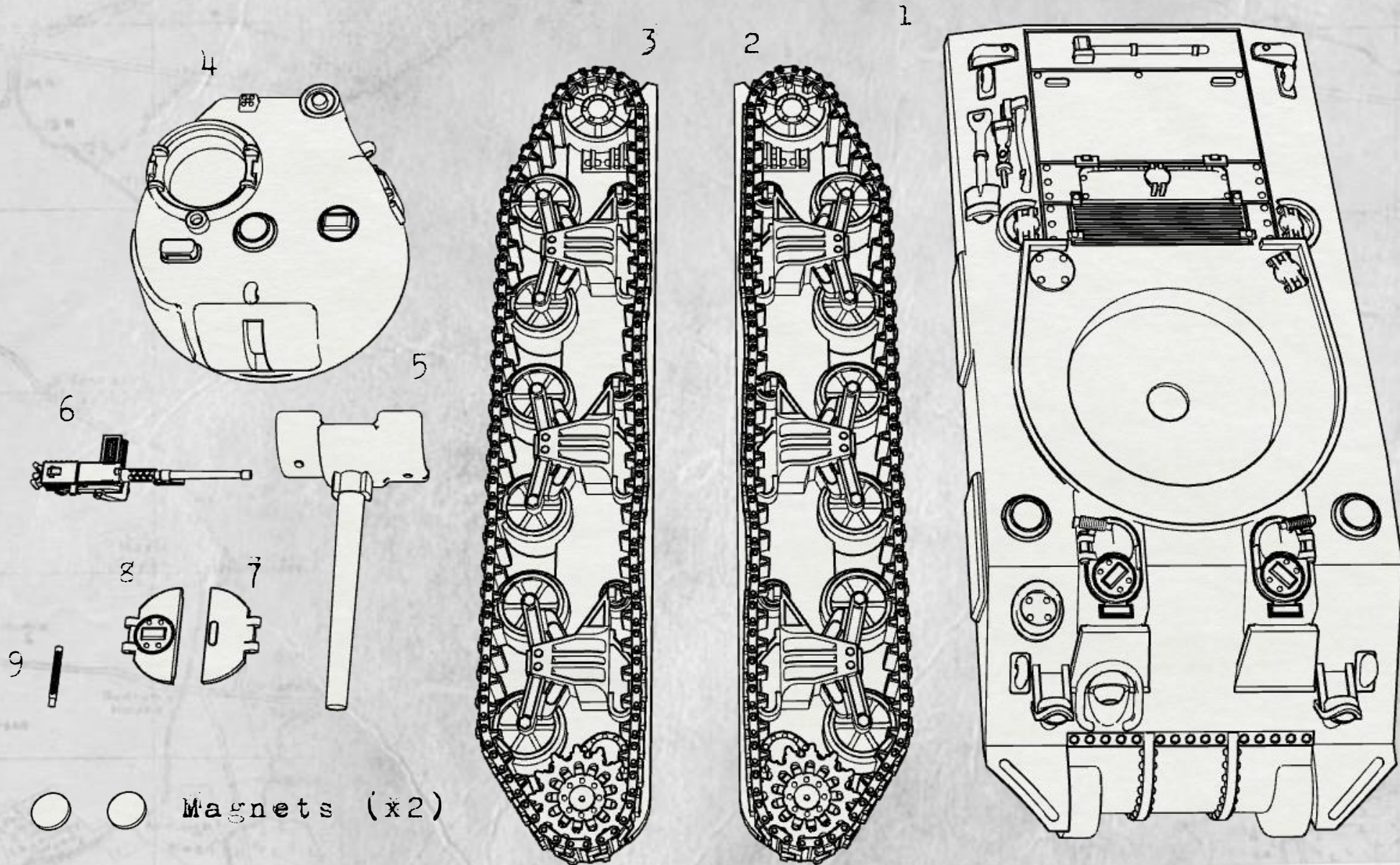
# Sherman M4A4 Assembly Instructions



© 2015 Trenchworx

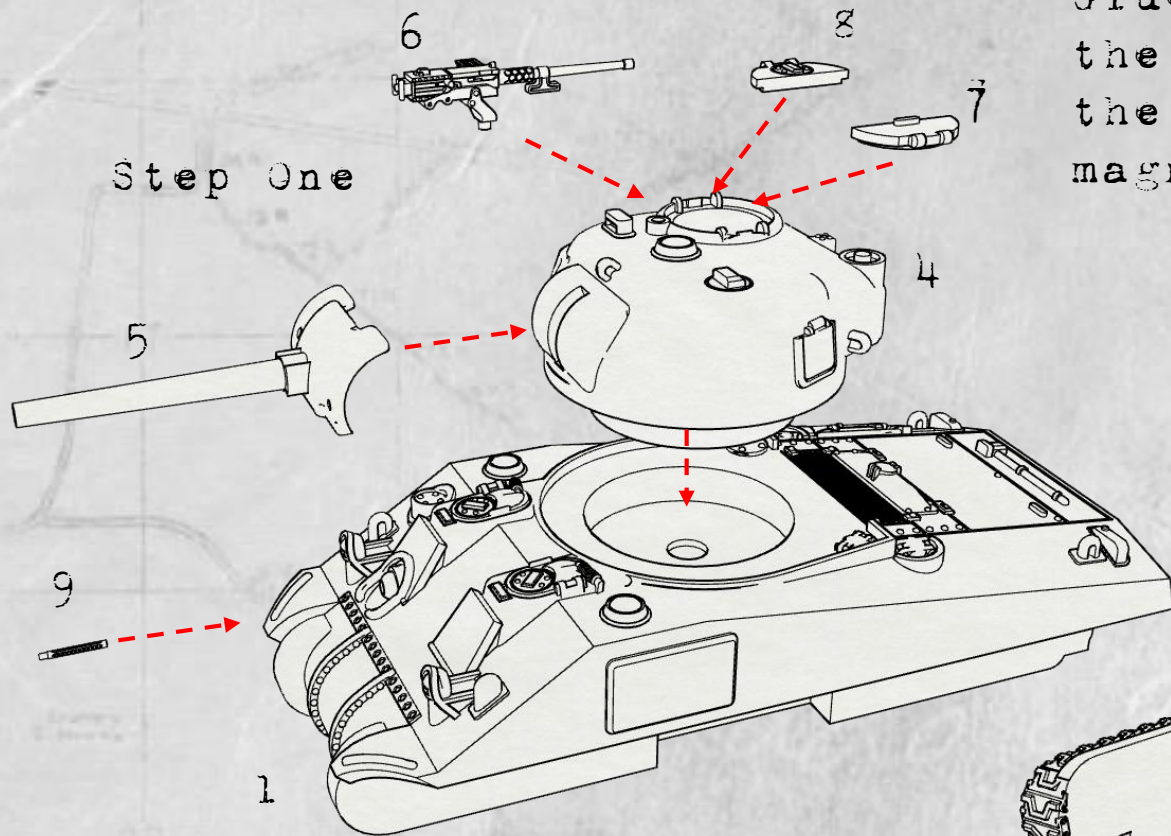
Trench Worx



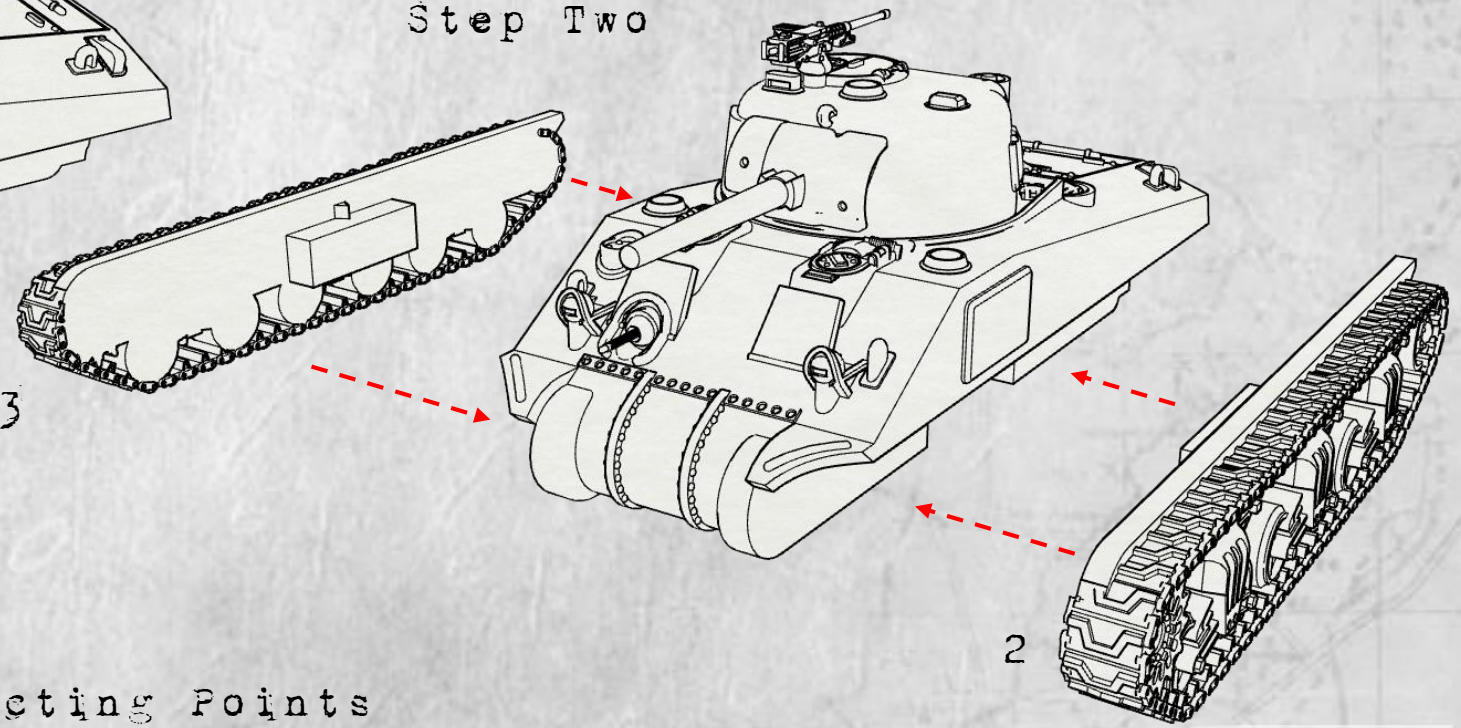


Trench Worx





Glue one of the magnets to the underside of the turrets and the other inside the body in the slots. Make sure The polarity of the magnets match.



We recommend you sand the connecting Points before gluing the parts in place. This will make for a stronger bond.