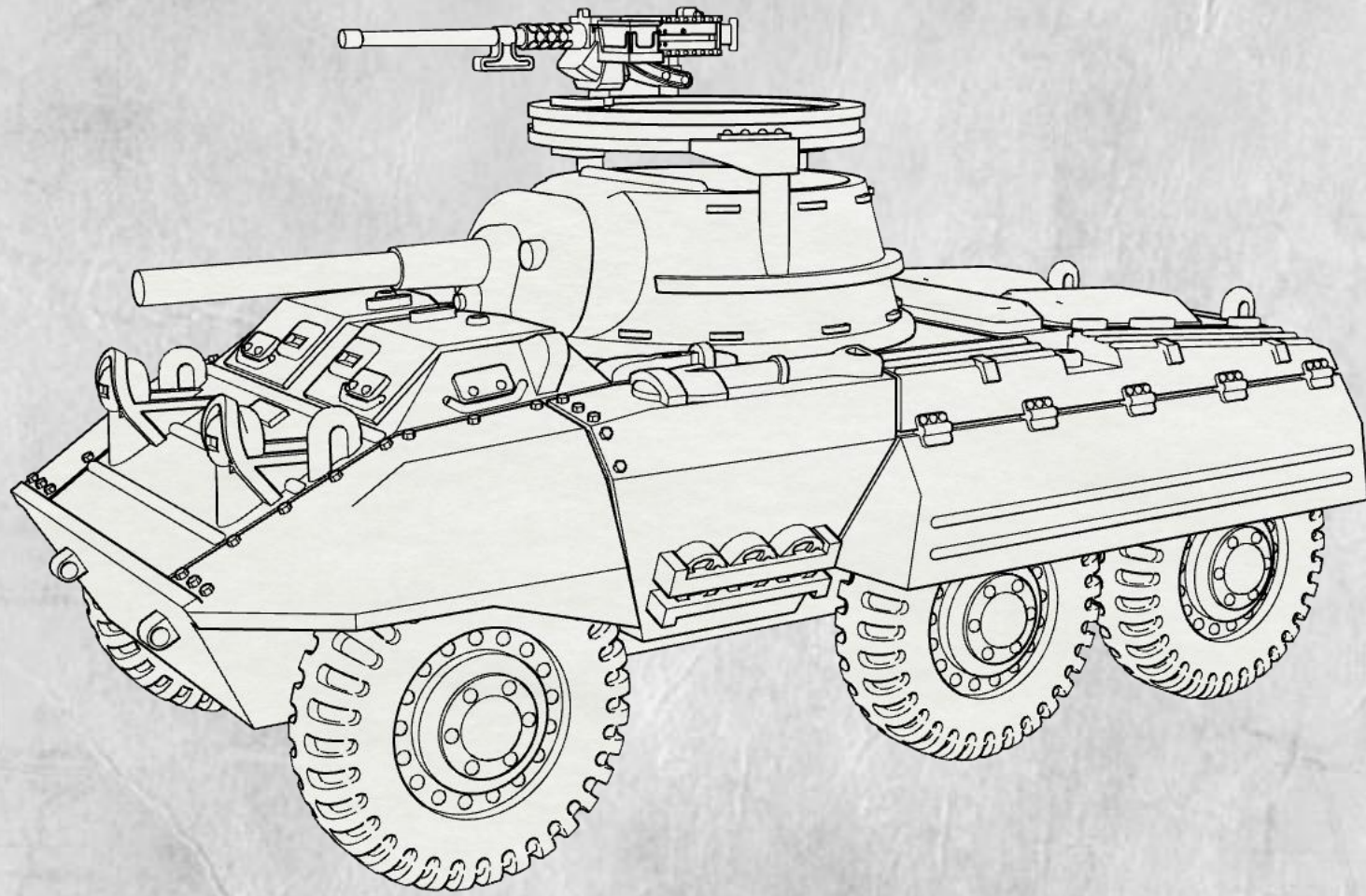
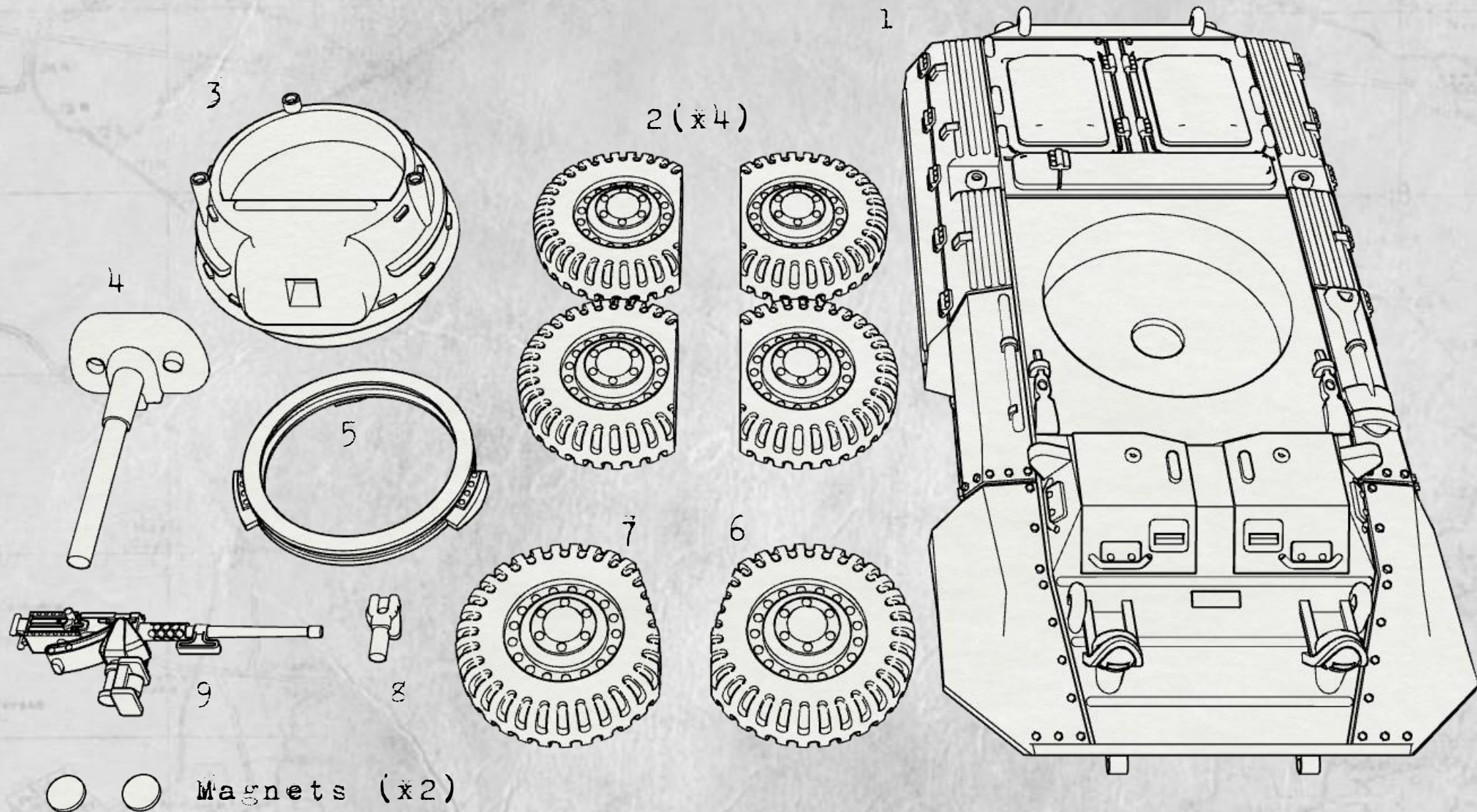


# M8 Greyhound Assembly Instructions



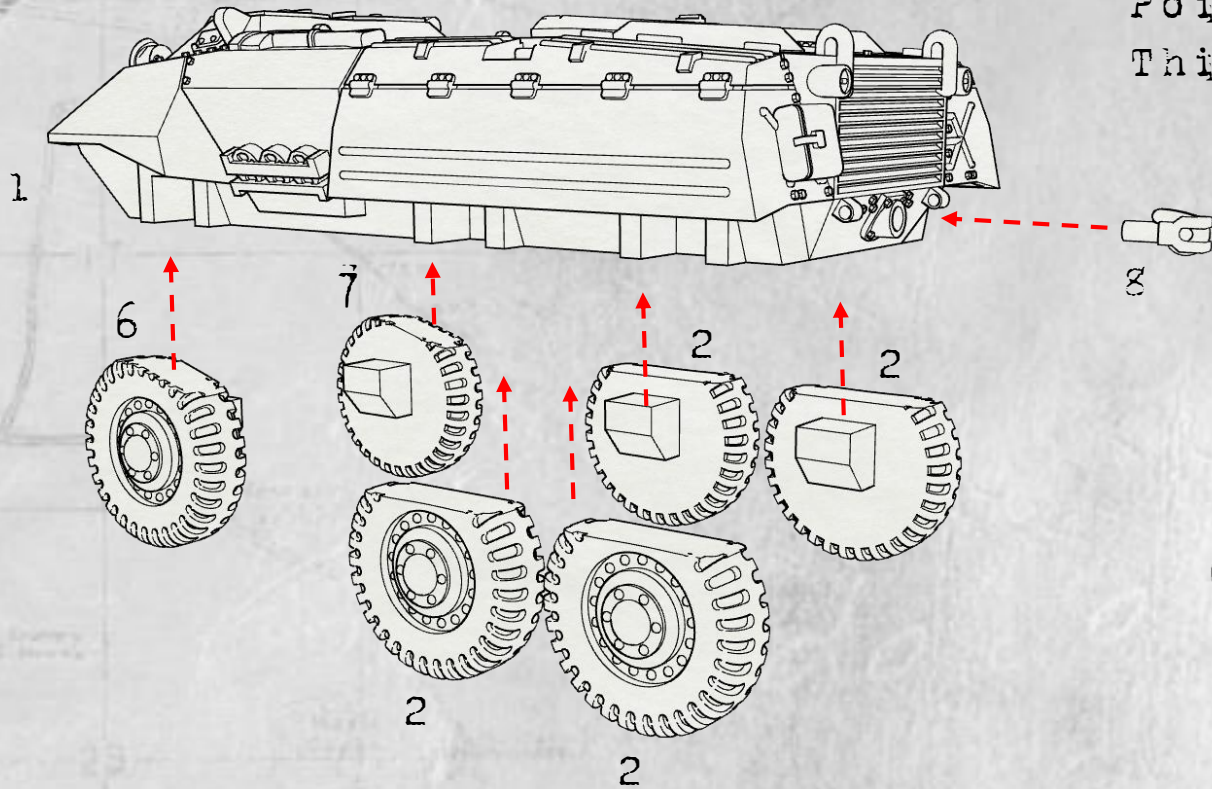
© 2015 Trenchworx

Trench Worx



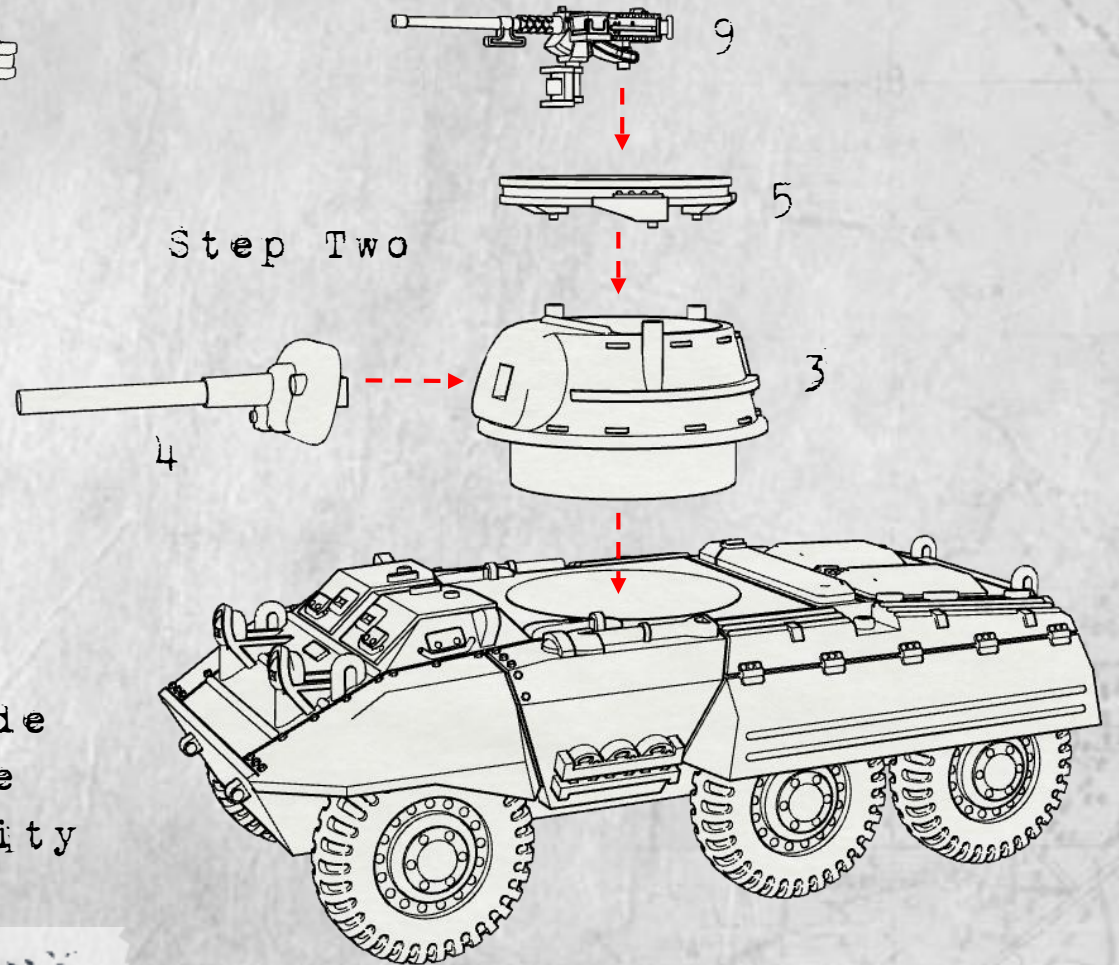
Trench Work

## Step One



We recommend you sand the connecting points before gluing the parts in place. This will make for a stronger bond.

## Step Two



Glue one of the magnets to the underside of the turrets and the other inside the body in the slots. Make sure the polarity of the magnets match.

Trench Work