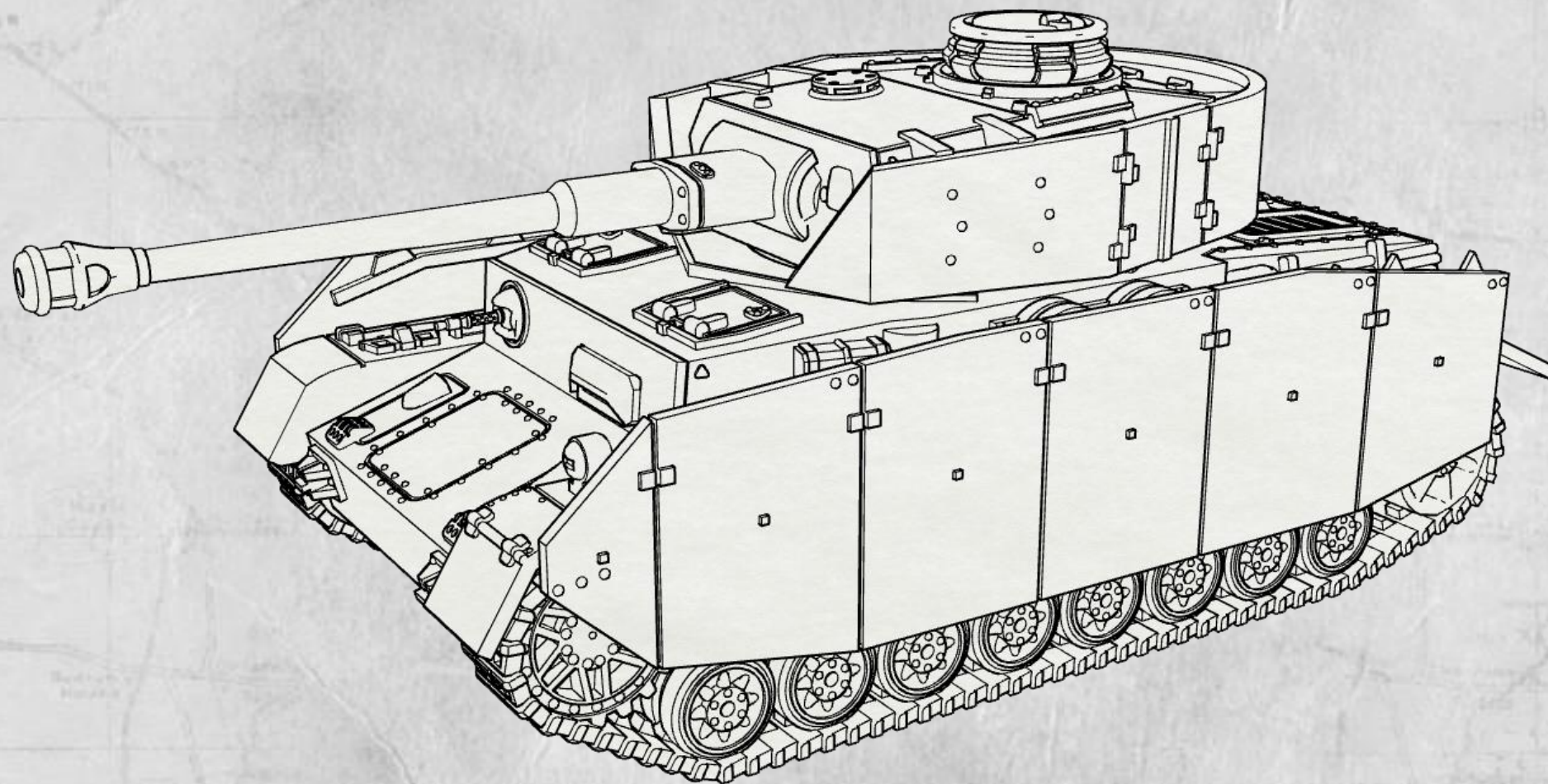
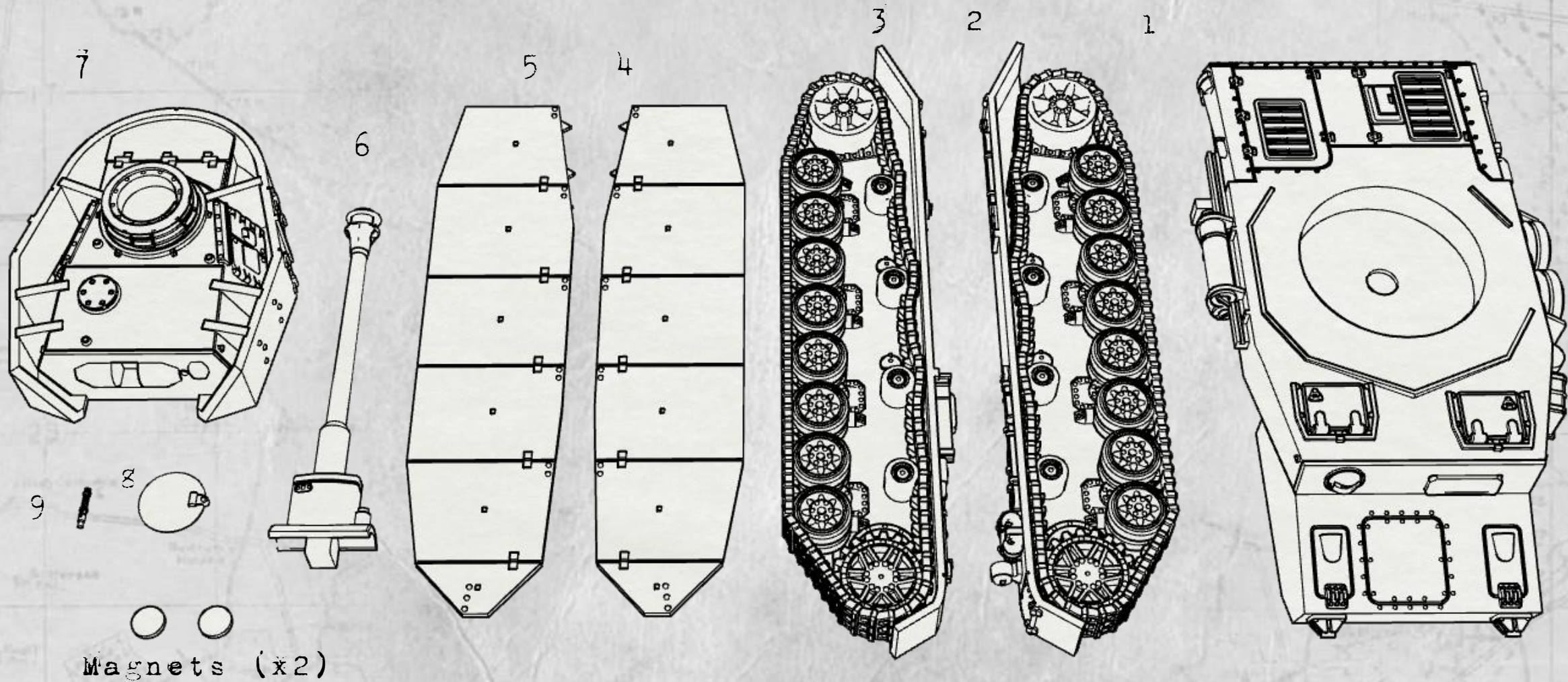


# Panzer IV H Assembly Instructions



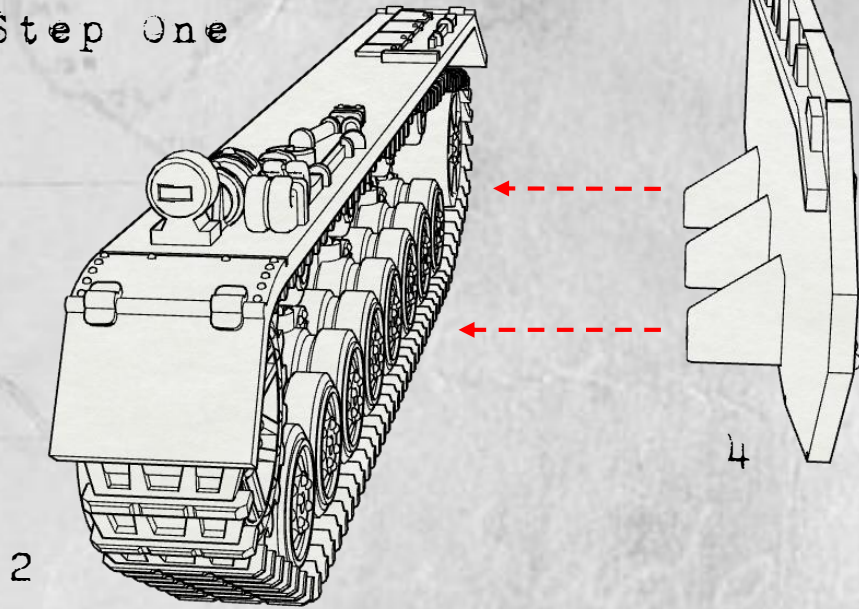
© 2015 Trenchworx

Trench Worx



Trench Work

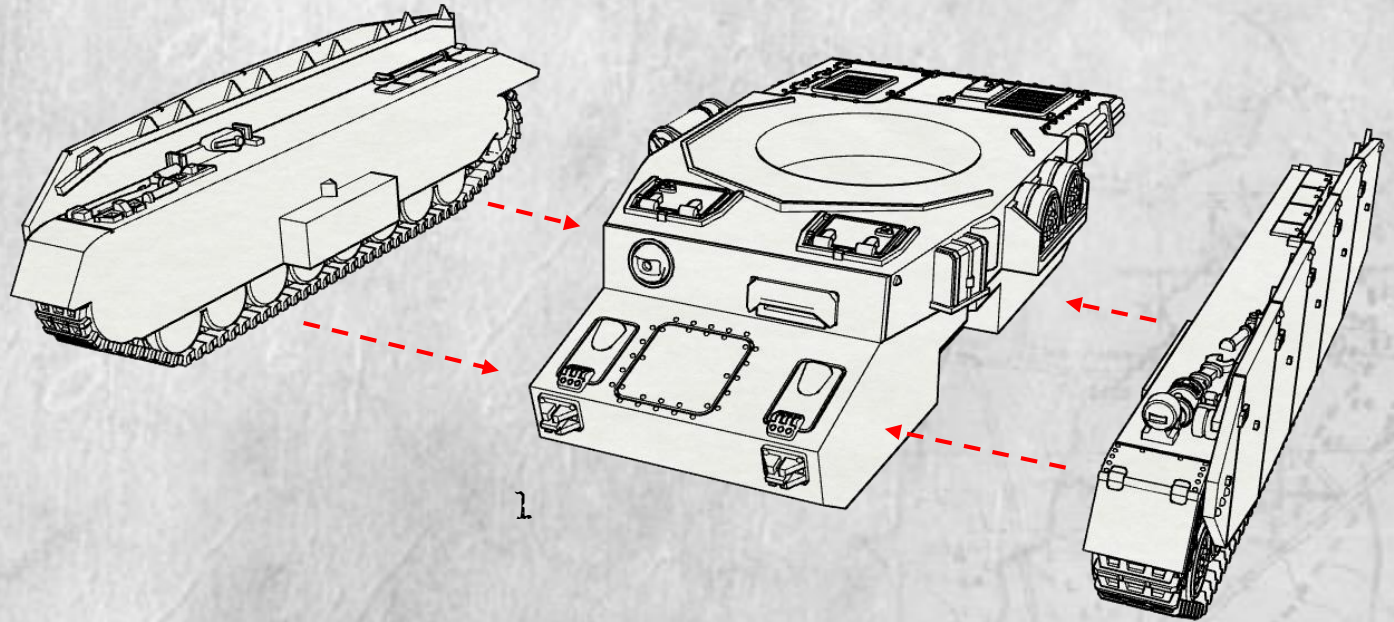
Step One



We recommend you sand the connecting points before gluing the parts in place. This will make for a stronger bond.

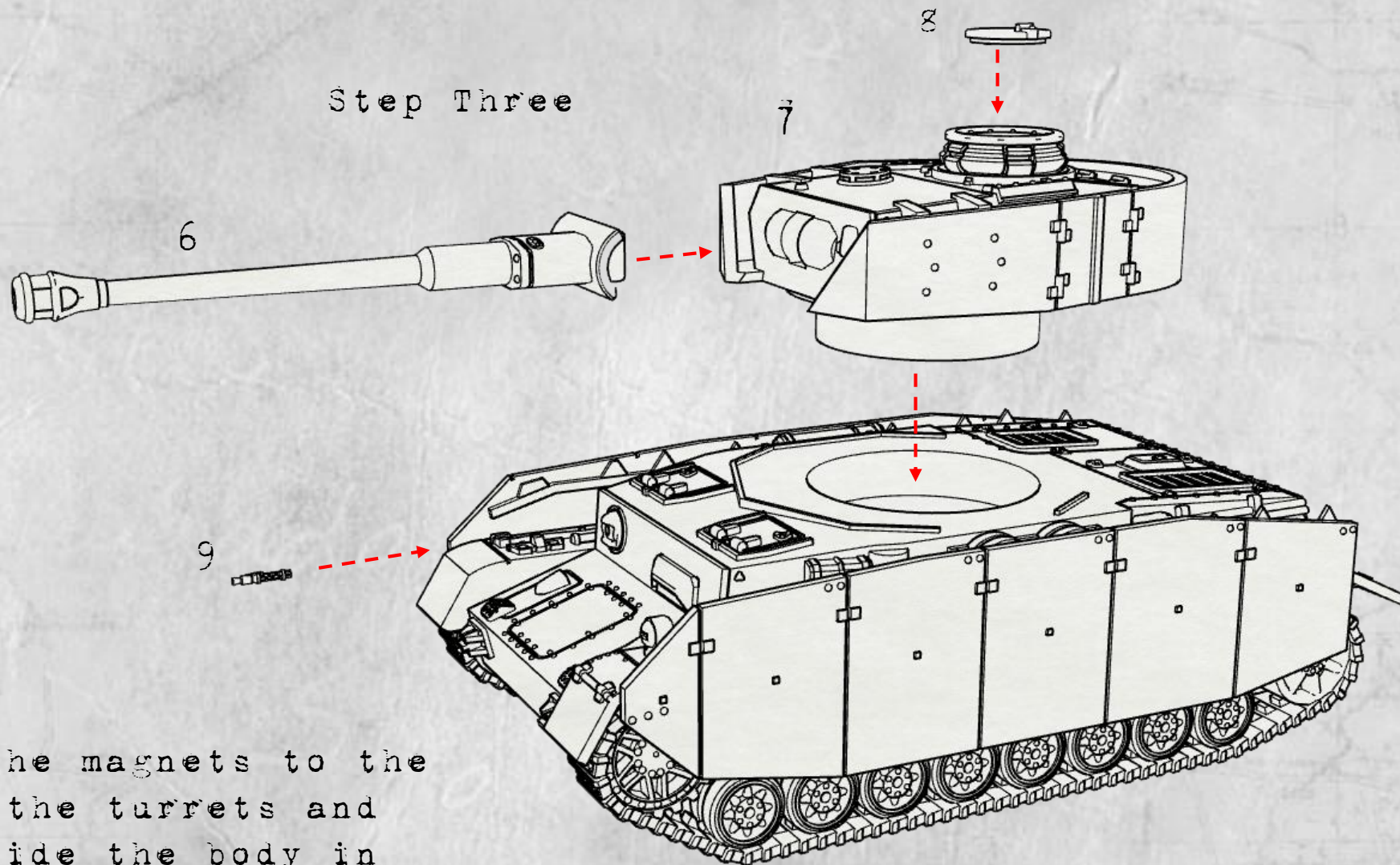
Repeat step one with the right track and shurzen. (parts 3 & 5)

Step Two



Trench Work

### Step Three



Glue one of the magnets to the underside of the turrets and the other inside the body in the slots. Make sure The polarity of the magnets match.

Trench Worx