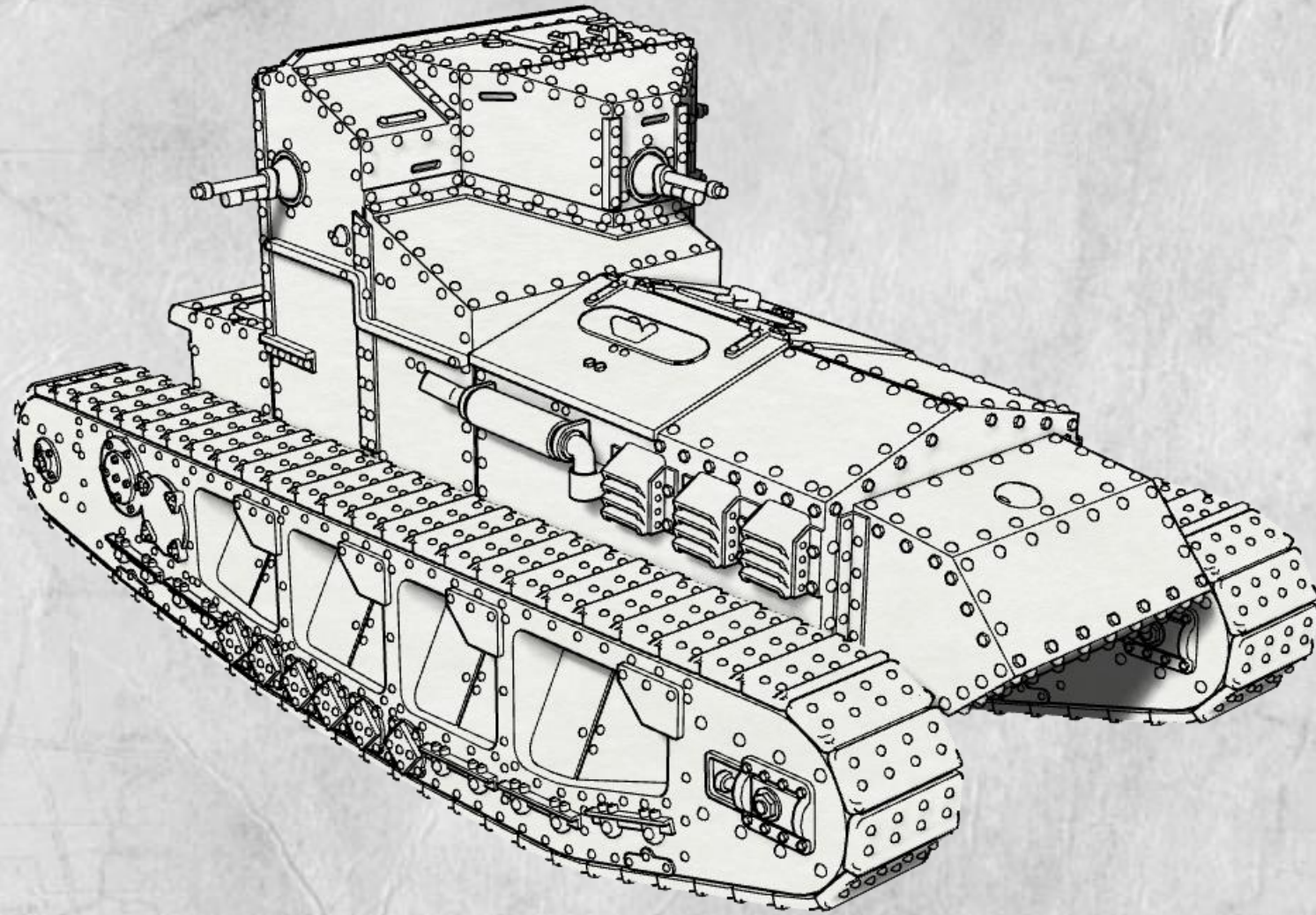
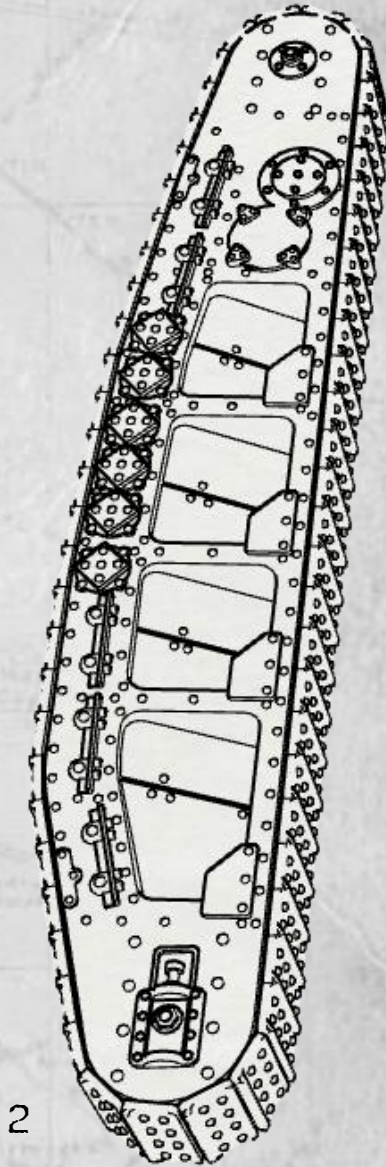


British Whippet Assembly Instructions

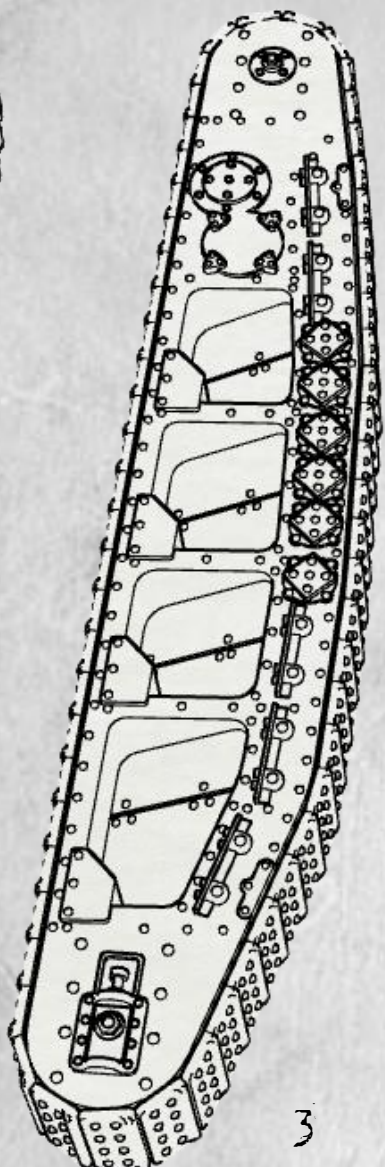


© 2016 Trenchworx

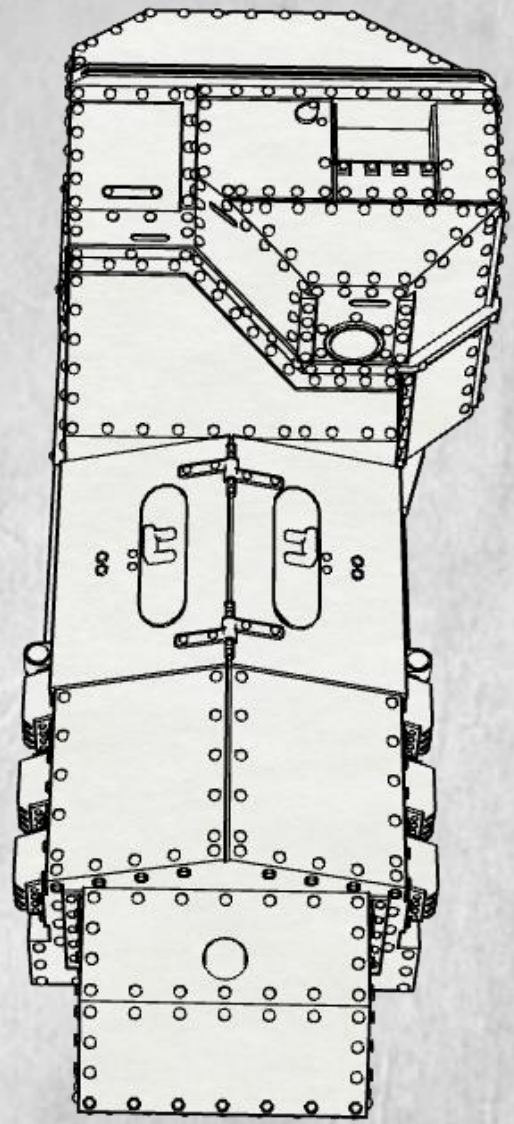
Trench Worx



2



3



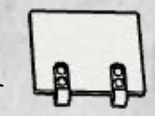
1



5



6



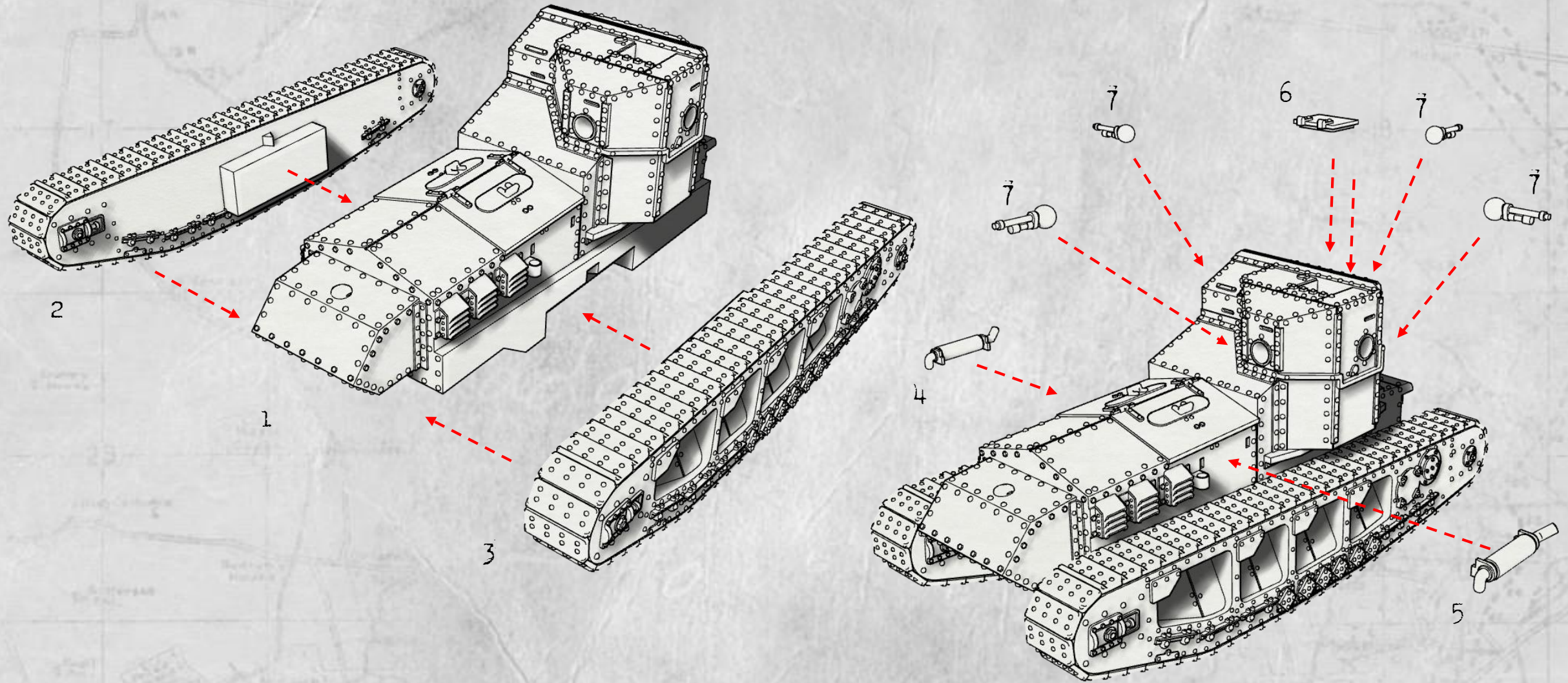
4

7 (*4)



Trench Work

We recommend you sand the connecting points before gluing the parts in place. This will make for a stronger bond.



Trench Work